



CUSTOMER NAME _____
 PROJECT NAME _____
 DATE _____ TYPE _____
 CATALOG NUMBER _____

E2SD Security Light

LED Roadway Lighting

The Evolve® LED Security Light provides energy efficiency in a rugged, easy to install light-weight fixture. New LED refractive optics provide high-efficiency application-optimized photometry. Type III Medium, Type V and Type V Wide distributions offered at 2700K, 3000K and 4000K CCT.

Construction

Housing:	Aluminum diecast enclosure with integral heatsink for maximum heat transfer.
Lens:	Impact resistant acrylic refractor array. Optional Drop Lens
Paint:	Corrosion resistant Gray powder paint, ≥2.0 mil thickness
Weight:	<6.0 lbs (2.7 kgs)

Optical System

Lumens:	3,270 - 10,500
Distribution:	Type III Medium Type V Type V Wide
Efficacy:	137 - 169 LPW (4000K)
CCT:	2700K, 3000K & 4000K
CRI:	≥ 70

Electrical

Input Voltage:	120-277V
Input Frequency:	50/60Hz
Power Factor:	≥ 0.9 at rated watts
Total Harmonic Distortion:	≤ 20% at rated watts

Surge Protection

Standard	Optional
<input type="checkbox"/> 10kv/5kA	<input type="checkbox"/> Secondary 10kv/5kA (R Option)

Lumen Maintenance

Projected Lxx per IES TM-21-11 at 25°C

LUMENS	DISTRIBUTION	LXX(10K) @ HOURS		
		25,000 HR	50,000 HR	60,000 HR
04 ,05, 06, 07, 08	C1, V1, VW	98	96	95
09,10	C1, V1, VW	95	90	88

NOTES: Projected Lxx based on LM-80 (≥12,000 hour testing). Accepted industry tolerances apply to initial luminous flux and lumen maintenance measurements.

Ratings

Operating Temperature:	04 to 09 lumen Code -40°C to 50°C 10 lumen Code -40°C to 45°C
Vibration:	3G per ANSI C136.31-2018
LM-79:	Tested in accordance with IES Standards
EMI:	Title 47 CFR Part 15 Class A
RoHS:	Complies with the material restrictions of RoHS

Controls

Dimming:	Standard - 0-10V Optional - DALI (Option U)
Sensors:	Photo Electric Sensors (PE) available LightGrid+ Compatible

Warranty

Standard	Optional
<input type="checkbox"/> 5 Year (Standard)	<input type="checkbox"/> 10 Year (Optional)



CUSTOMER NAME _____
 PROJECT NAME _____
 DATE _____ TYPE _____
 CATALOG NUMBER _____

Ordering Information

E 2 S D 0

PROD. ID	VOLTAGE	LUMENS	DISTRIBUTION	REFRACTOR	CCT	CONTROLS	MOUNTING	POWER LEADS	FINISH	MOUNTING
E = Evolve 2SD = Security Light	0 = 120-277	04 = 4,000	C1 = Type III	N = None (Zero uplight)	27 = 2700K	A = ANSI 136.41 7-Pin Receptacle	N = None	N = None	Gray	L = Tool-Less Entry
		05 = 5,000	V1 = Type V	R = Drop Lens	30 = 3000K	D = ANSI 136.41 7-Pin Receptacle with Shorting Cap	L = Long 24 in. bracket	3 = 3 ft # 14 AWG Leads		R = 10kV/5kA Secondary SPD
		06 = 6,000	VW = Type V Wide		40 = 4000K			5 = 5 ft # 14 AWG Leads		U = DALI Programmable
		07 = 7,000								
		08 = 8,000								
		09 = 9,000								
10 = 10,000 ¹					E = ANSI 136.41 7-Pin Receptacle with Long Life Non Dimming PE Box			8 = 8 ft # 14 AWG Leads	XXX = TBD Special	

Note 1: Max Ambient = 45°C

Suggested HID Replacement

- Approximately 4,000 - 10,000 lumens to replace 50-100W HPS Cobra-head.

Note: Actual replacement lumens may vary based upon mounting height, pole spacing, design criteria, etc.

The information above is designed to provide a guideline to select the correct luminaire for a roadway application. The best and most accurate way to ensure the proper design is by doing a lighting layout.

CUSTOMER NAME _____

PROJECT NAME _____

DATE _____ TYPE _____

CATALOG NUMBER _____

No Drop Lens

LUMEN	DIST	DIST CLASS	LUMEN OUTPUT (NO DROP LENS)			LPW	TYP. SYSTEM WATTS	BUG RATINGS (NO DROP LENS)		
			2700K	3000K	4000K			2700K	3000K	4000K
CODE	CODE	RP-8 TYPE	0.88	0.97	REF	4000K	REF			
RATIOS										
04	C1	Type III Medium	3520	3880	4000	160	25	B1-U0-G1	B1-U0-G1	B1-U0-G1
	V1	Type V	3690	4070	4200	168	25	B2-U0-G1	B2-U0-G1	B2-U0-G1
	VW	Type V High Angle	3660	4030	4160	166	25	B2-U0-G1	B2-U0-G1	B2-U0-G1
05	C1	Type III Medium	4400	4850	5000	161	31	B1-U0-G1	B1-U0-G1	B1-U0-G1
	V1	Type V	4620	5090	5250	169	31	B2-U0-G1	B2-U0-G1	B2-U0-G1
	VW	Type V High Angle	4576	5040	5200	168	31	B3-U0-G1	B3-U0-G1	B3-U0-G1
06	C1	Type III Medium	5280	5820	6000	154	39	B1-U0-G1	B1-U0-G2	B1-U0-G2
	V1	Type V	5540	6110	6300	162	39	B2-U0-G1	B2-U0-G1	B2-U0-G1
	VW	Type V High Angle	5490	6050	6240	160	39	B3-U0-G1	B3-U0-G1	B3-U0-G1
07	C1	Type III Medium	6160	6790	7000	156	45	B2-U0-G2	B2-U0-G2	B2-U0-G2
	V1	Type V	6460	7120	7350	163	45	B2-U0-G1	B2-U0-G1	B2-U0-G1
	VW	Type V High Angle	6406	7060	7280	162	45	B3-U0-G1	B3-U0-G1	B3-U0-G1
08	C1	Type III Medium	7040	7760	8000	154	52	B2-U0-G2	B2-U0-G2	B2-U0-G2
	V1	Type V	7390	8140	8400	162	52	B2-U0-G1	B3-U0-G1	B3-U0-G1
	VW	Type V High Angle	7320	8070	8320	160	52	B3-U0-G1	B3-U0-G2	B3-U0-G2
09	C1	Type III Medium	7920	8730	9000	153	59	B2-U0-G2	B2-U0-G2	B2-U0-G2
	V1	Type V	8310	9160	9450	160	59	B3-U0-G1	B3-U0-G1	B3-U0-G1
	VW	Type V High Angle	8236	9070	9360	159	59	B3-U0-G2	B3-U0-G2	B3-U0-G2
10	C1	Type III Medium	8800	9700	10000	147	68	B2-U0-G2	B2-U0-G2	B2-U0-G2
	V1	Type V	9240	10180	10500	154	68	B3-U0-G1	B3-U0-G1	B3-U0-G1
	VW	Type V High Angle	9150	10080	10400	153	68	B3-U0-G2	B3-U0-G2	B3-U0-G2

With Drop Lens

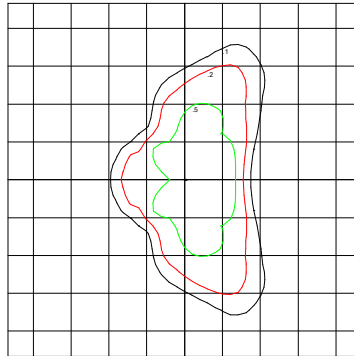
LUMEN	DIST	DIST CLASS	LUMEN OUTPUT (WITH DROP LENS)			LPW	TYP. SYSTEM WATTS	BUG RATINGS (WITH DROP LENS)		
			2700K	3000K	4000K			2700K	3000K	4000K
CODE	CODE	RP-8 TYPE	0.88	0.97	REF	4000K	REF			
RATIOS										
04	C1	Type III Medium	3270	3600	3720	149	25	B1-U3-G2	B2-U3-G2	B2-U3-G2
	V1	Type V	3730	3780	3900	156	25	B2-U3-G1	B2-U3-G1	B2-U3-G2
	VW	Type V High Angle	3400	3750	3860	154	25	B2-U3-G2	B2-U3-G2	B2-U3-G2
05	C1	Type III Medium	4090	4510	4650	150	31	B2-U3-G2	B2-U3-G2	B2-U3-G2
	V1	Type V	4290	4730	4880	157	31	B2-U3-G2	B2-U3-G2	B2-U3-G2
	VW	Type V High Angle	4250	4690	4830	156	31	B2-U3-G2	B2-U3-G2	B2-U3-G2
06	C1	Type III Medium	4910	5410	5580	143	39	B2-U3-G2	B2-U3-G2	B2-U3-G2
	V1	Type V	5150	5680	5850	150	39	B2-U3-G2	B2-U3-G2	B2-U3-G2
	VW	Type V High Angle	5100	5620	5800	149	39	B2-U3-G2	B3-U3-G2	B3-U3-G2
07	C1	Type III Medium	5720	6310	6510	145	45	B2-U3-G2	B2-U3-G3	B2-U3-G3
	V1	Type V	6010	6630	6830	152	45	B2-U3-G2	B2-U3-G2	B2-U3-G2
	VW	Type V High Angle	5950	6560	6770	150	45	B3-U3-G2	B3-U3-G3	B3-U3-G3
08	C1	Type III Medium	6540	7210	7440	143	52	B2-U3-G3	B3-U3-G3	B3-U3-G3
	V1	Type V	6870	7570	7812	150	52	B2-U3-G2	B3-U3-G2	B3-U3-G2
	VW	Type V High Angle	6800	7500	7730	149	52	B3-U3-G3	B3-U3-G3	B3-U3-G3
09	C1	Type III Medium	7360	8110	8370	142	59	B3-U3-G3	B3-U3-G3	B3-U3-G3
	V1	Type V	7730	8520	8789	149	59	B3-U3-G2	B3-U3-G2	B3-U3-G3
	VW	Type V High Angle	7660	8440	8700	147	59	B3-U3-G3	B3-U3-G3	B3-U3-G3
10	C1	Type III Medium	8180	9020	9300	137	68	B3-U3-G3	B3-U3-G3	B3-U3-G3
	V1	Type V	8590	9470	9760	144	68	B3-U3-G2	B3-U3-G3	B3-U3-G3
	VW	Type V High Angle	8510	9380	9670	142	68	B3-U3-G3	B3-U3-G3	B3-U3-G3

CUSTOMER NAME _____
 PROJECT NAME _____
 DATE _____ TYPE _____
 CATALOG NUMBER _____

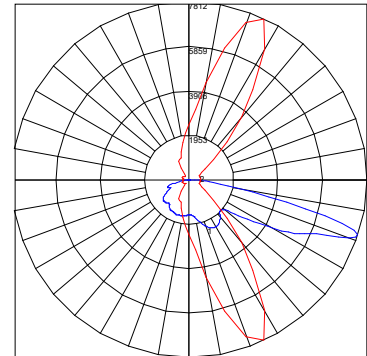
Photometric Plots

E2SD
 Type III Medium - No Drop Lens

10,000 Lumens
 4000K
 E2SD_10C1N40_...IES



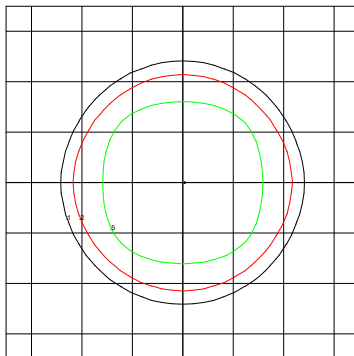
Grid Distance in Units
 of Mounting Height at 30'
 Initial Footcandle Values at Grade



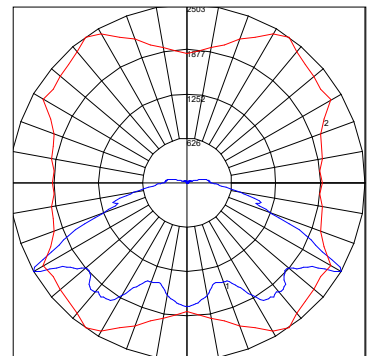
— Vertical Plane at Max CD Horizontal Angle
 — Horizontal Cone at Max CD Vertical Angle

E2SD
 Type V - No Drop Lens

10,000 Lumens
 4000K
 E2SD_10V1N40_...IES



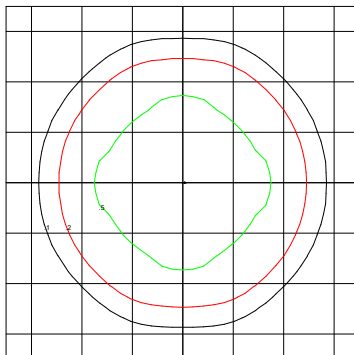
Grid Distance in Units
 of Mounting Height at 30'
 Initial Footcandle Values at Grade



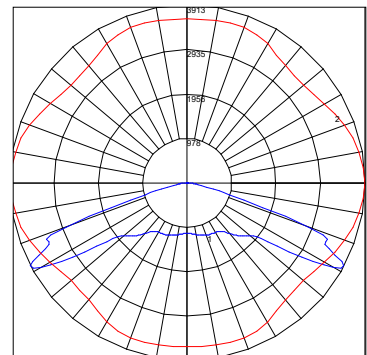
— Vertical Plane at Max CD Horizontal Angle
 — Horizontal Cone at Max CD Vertical Angle

E2SD
 Type V Wide - No Drops Lens

10,000 Lumens
 4000K
 E2SD_10VWN40_...IES



Grid Distance in Units
 of Mounting Height at 30'
 Initial Footcandle Values at Grade

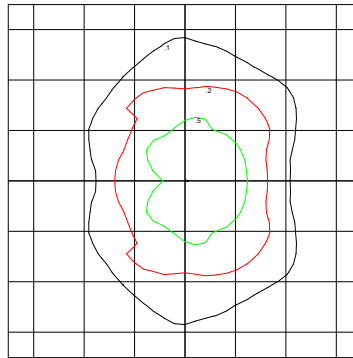


— Vertical Plane at Max CD Horizontal Angle
 — Horizontal Cone at Max CD Vertical Angle

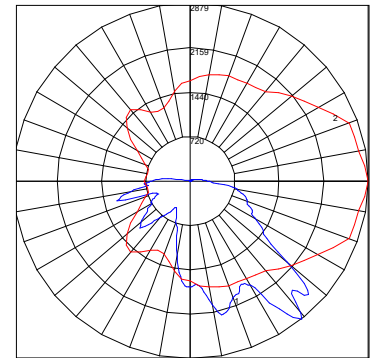
CUSTOMER NAME _____
 PROJECT NAME _____
 DATE _____ TYPE _____
 CATALOG NUMBER _____

Photometric Plots

E2SD
 Type III Medium - w/ Drop Lens
 10,000 Lumens
 4000K
 E2SD_10C1R40_...IES

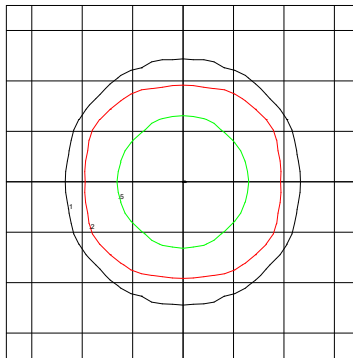


Grid Distance in Units
 of Mounting Height at 30'
 Initial Footcandle Values at Grade

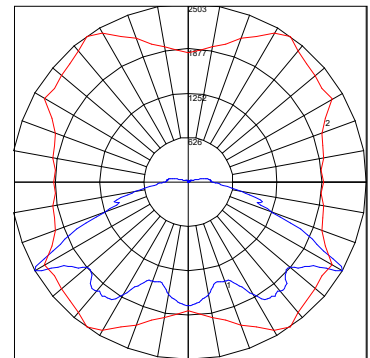


— Vertical Plane at Max CD Horizontal Angle
 — Horizontal Cone at Max CD Vertical Angle

E2SD
 Type V - w/ Drop Lens
 10,000 Lumens
 4000K
 E2SD_10V1R40_...IES

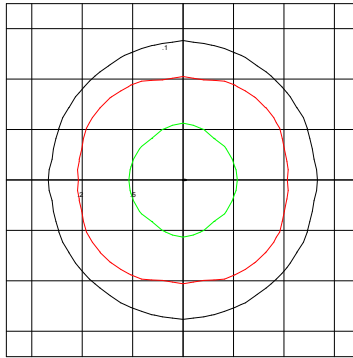


Grid Distance in Units
 of Mounting Height at 30'
 Initial Footcandle Values at Grade

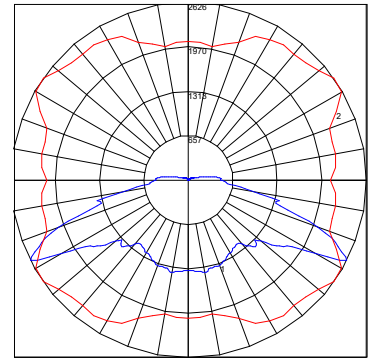


— Vertical Plane at Max CD Horizontal Angle
 — Horizontal Cone at Max CD Vertical Angle

E2SD
 Type V Wide - w/ Drops Lens
 10,000 Lumens
 4000K
 E2SD_10VWR40_...IES



Grid Distance in Units
 of Mounting Height at 30'
 Initial Footcandle Values at Grade



— Vertical Plane at Max CD Horizontal Angle
 — Horizontal Cone at Max CD Vertical Angle

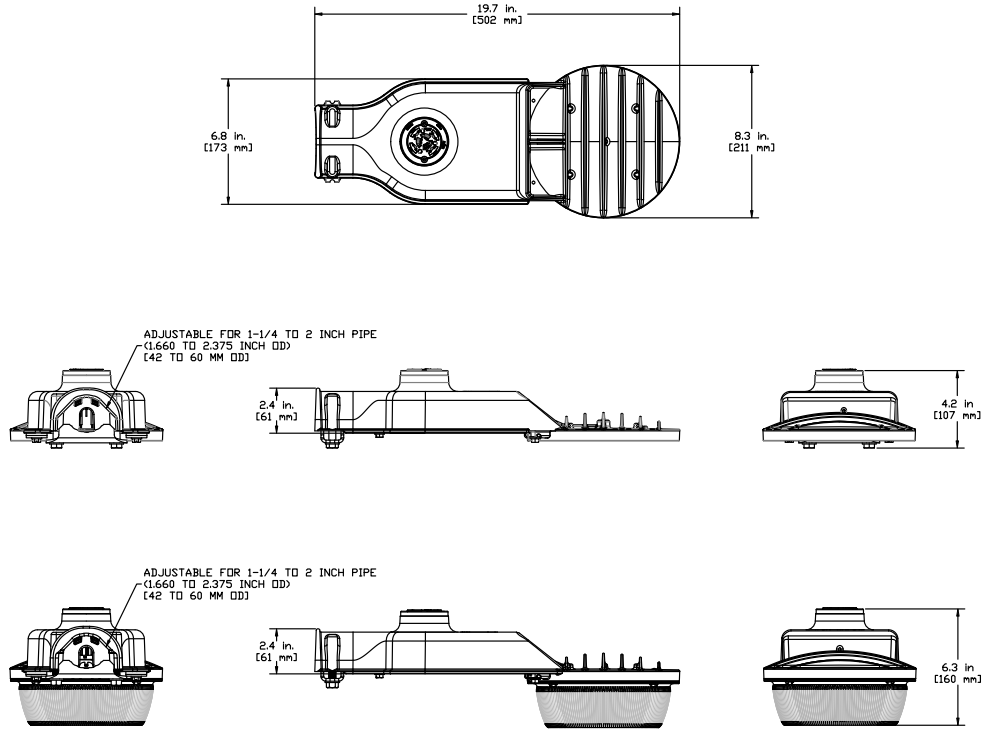
CUSTOMER NAME _____

PROJECT NAME _____

DATE _____ TYPE _____

CATALOG NUMBER _____

Dimensions



Mounting

- Adjustable for 1.25 to 2 in. nominal mounting pipe
- Integral diecast mounting pipe stop
- Slipfitter with +/- 5 degrees of leveling adjustment

Effective Projected Area

- Effective Projected Area: 0.15 ft² (0.014 m²) (Max no shield)

Weight

- Approximate net weight: <6.0 lbs (2.7 kgs)

Accessories

SAP Number	Part Number	Description
93313797	ELS-E2SD-120-020-GRAY	E2SD Shield 120° Rectangular, 2", Gray
93313798	ELS-E2SD-120-020-BLCK	E2SD Shield 120° Rectangular, 2", Black
93029238G	PED-MV-LED-7	ANSI C136.41 Dimming PE, 120-277V
28299	PECOTL	Standard 3-Pin PE 120-277V
73251	SCCL-PECTL	Shorting Cap

Network Lighting Controls

DESCRIPTION



Current's **LightGrid+**™ Outdoor Lighting Control System is designed for Street and Roadway Applications. It enables remote monitoring, control, and asset management of a single fixture or a group of fixtures through a web enabled Central Management System.